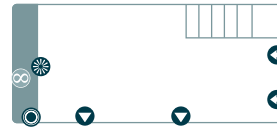
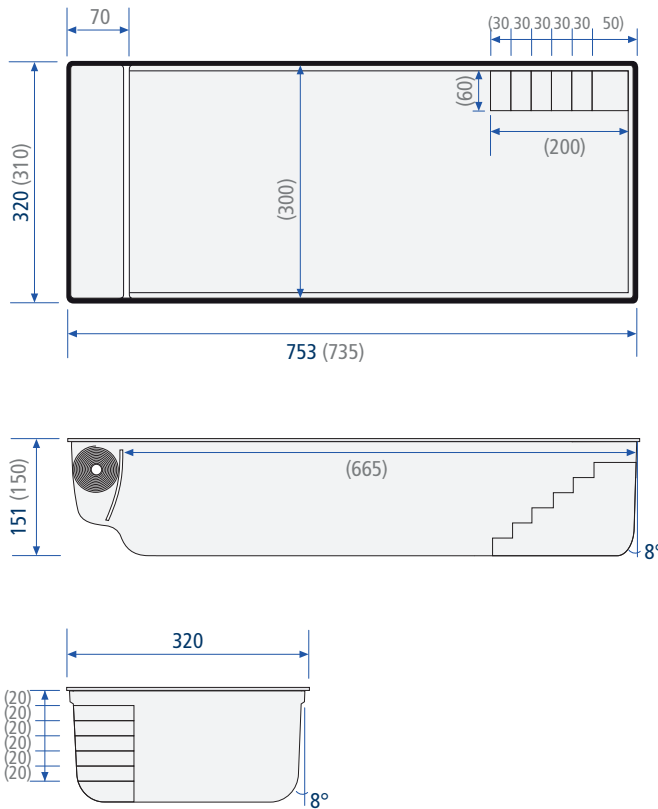


Commercial sizes	<b>7,50 x 3,20 x 1,50m</b>
Cover pit	<b>Integrated, 70 cm</b>
Water level	<b>1,45 m</b>
Weight incl. cover system	<b>850 kg</b>
Water volume	<b>53 m<sup>3</sup></b>
Crane <sup>1</sup>	<b>24 tons</b>

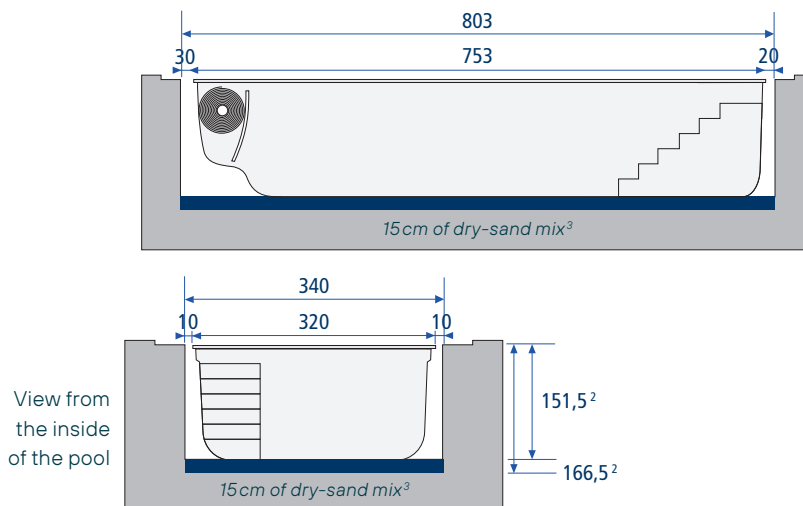


- Standard lights**  
can be placed on opposite side
- Drain**
- Suction connection**
- Counter-current system (optional) <sup>4</sup>
- Inlet**  
2 additional inlets (optional)
- Additional circulation (optional)

External (internal) dimensions in cm – tolerance ± 2%



Digging sizes in cm – tolerance ± 2%



Note: the digging sizes do not take into account the necessary space for the coping stones.

<sup>1</sup> Needed for unloading & placing the pool. <sup>2</sup> Depth taken from under the coping stone. <sup>3</sup> Mix of sand and cement, at a ratio of 250 kg per ton.

<sup>4</sup> If combined with a counter current system, the position of inlets(s) may differ.