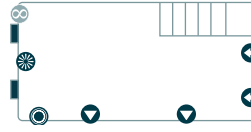
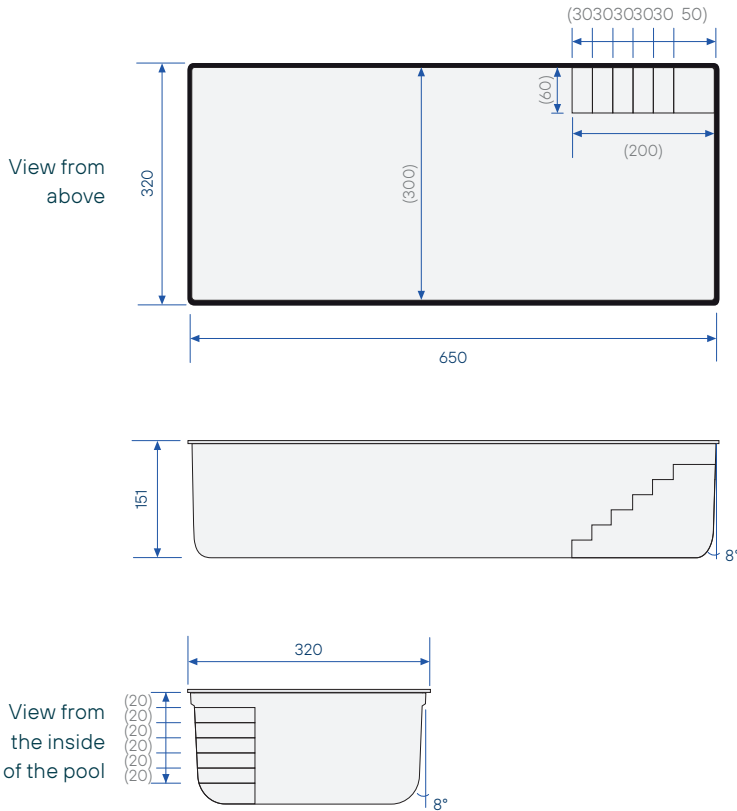


Commercial sizes	6,50 x 3,20 x 1,50m
Water level	1,45 m
Weight incl. cover system	850 kg
Water volume	25 m³
Crane ¹	13 tons

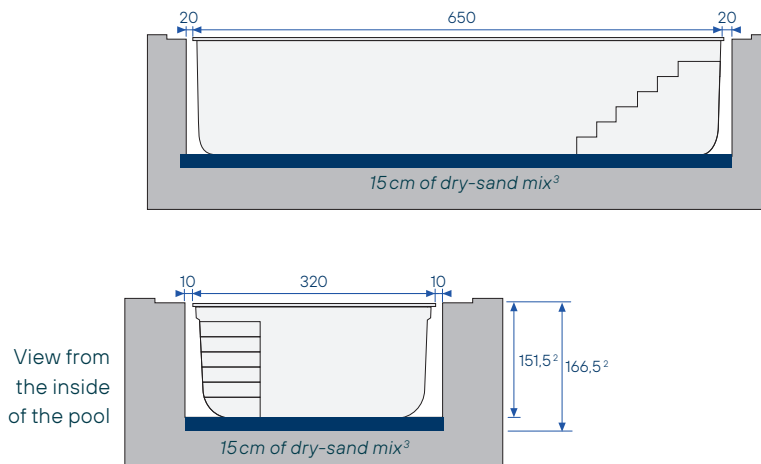


- Standard lights** can be placed on opposite side
 - Suction connection**
 - Drain**
 - Inlet**
 - Counter-current system (optional) ⁴
 - 2 additional inlets (optional)
 - Additional circulation (optional)
 - Traditional skimmer**
- Without integrated pool cover system, combined with traditional skimmers

External (Internal) dimensions in cm – tolerance ± 2%



Digging sizes in cm – tolerance ± 2%



Note: the digging sizes do not take into account the necessary space for the coping stones.

¹ Needed for unloading & placing the pool. ² Depth taken from under the coping stone. ³ Mix of sand and cement, at a ratio of 250 kg per ton.

⁴ If combined with a counter current system, the position of inlets(s) may differ.